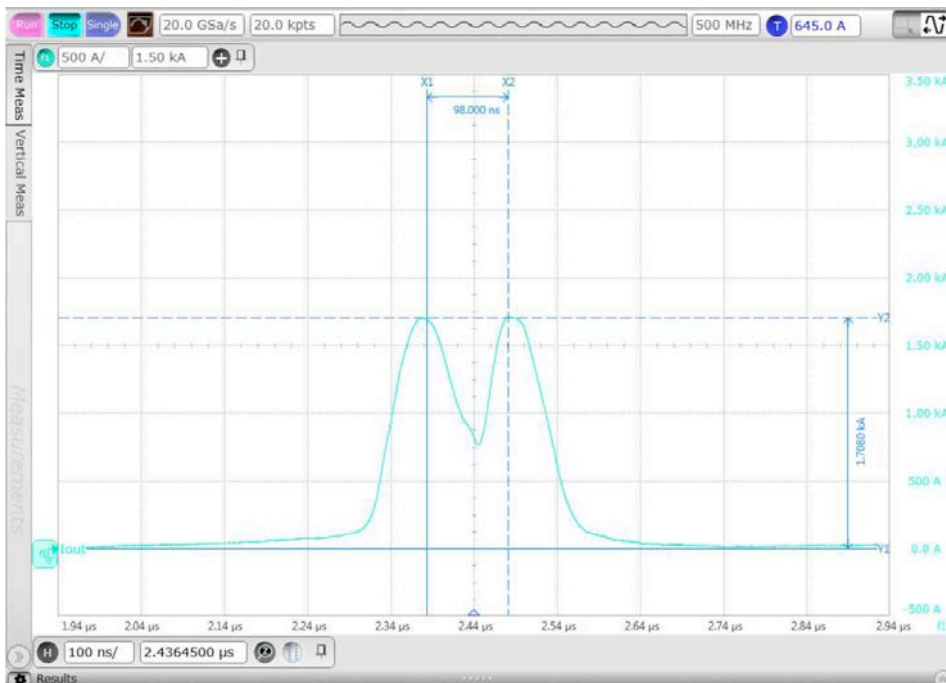


DRキッカー・トリガー

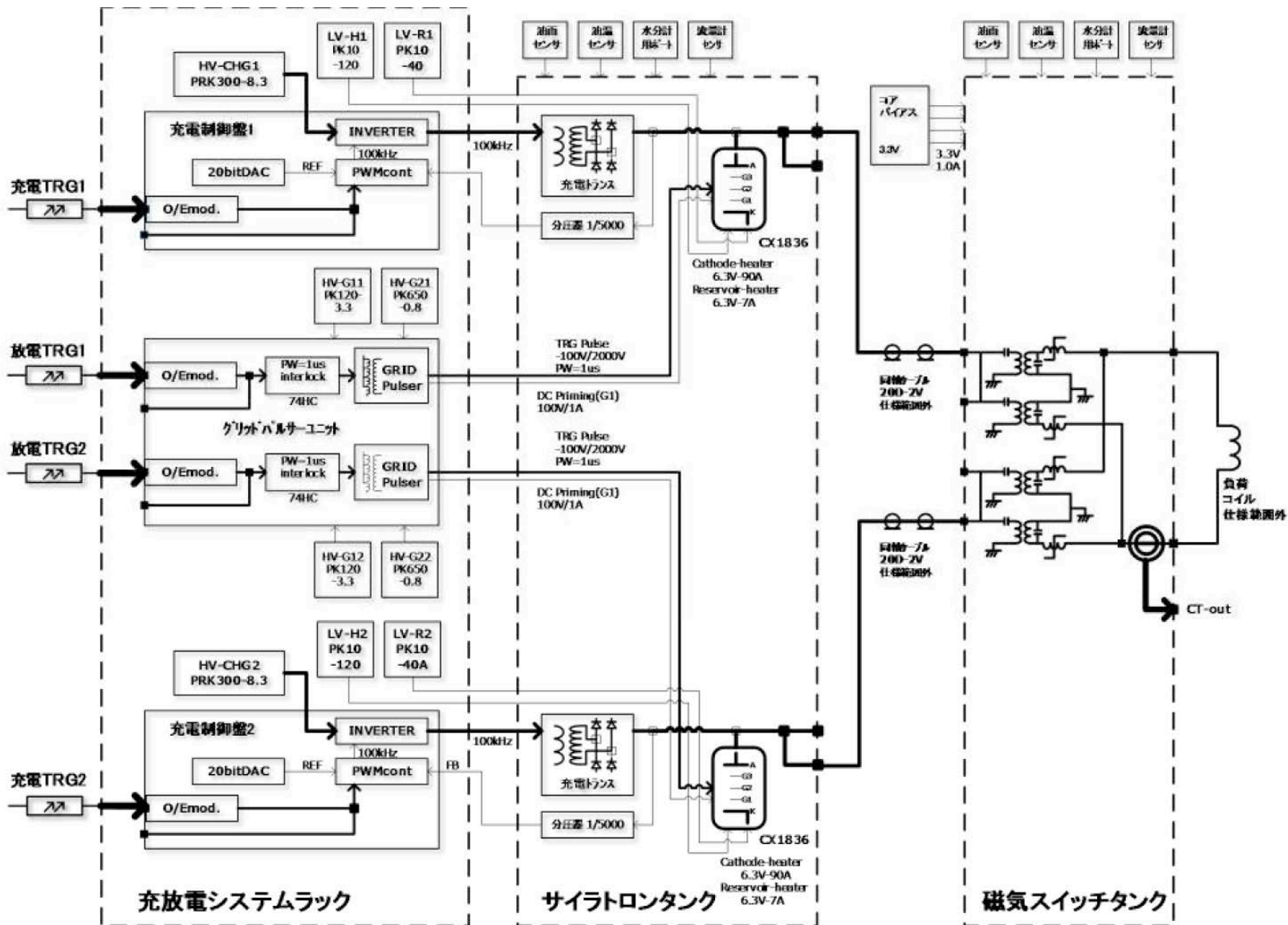
2017.1.13

DR Kicker

- Lumped type
- Double half sine
- Kick angle : 2.5mrad/magnet
- Current pulse rise time/fall time: <100ns
- Timing jitter: < ± 1 ns
- Amplitude stability: < $\pm 0.1\%$



DR Kicker



Trigger仕様

