

CONSTRUCTION OF A NEW PRE-INJECTOR SYSTEM FOR THE RILAC

Akira GOTO, Yoshitoshi MIYAZAWA, Masatake HEMMI, Osamu KAMIGAITO,
Takahide NAKAGAWA, Masayuki KASE, Toshiya CHIBA, Naohito INABE,
Shigeo KOHARA, Tadashi KAGEYAMA, Yuri BATYGIN and Yasushige YANO

The Institute of Physical and Chemical Research (RIKEN)
Wako-shi, Saitama 351-01, Japan

Abstract

A new pre-injector system for the RIKEN heavy-ion linac (RILAC), which is used as an injector of the RIKEN Ring Cyclotron (RRC), has been completed in order to increase beam intensities of heavy ions by one or two orders of magnitude. The system consists of an ECR ion source, a variable-frequency RFQ linac and a beam transport line between them. The performance tests of the whole system including beam acceleration test are being made successfully. It is planned to be installed on site next year.

1. Introduction

Recently we have started to do R&D's for the RI-beam factory project,¹⁾ which aims to increase beam energies up to 400 MeV/u for light heavy-ions and 150 MeV/u for very heavy ions using a superconducting ring cyclotron as a booster of the RIKEN Ring Cyclotron (RRC). One of the main purposes of the project is to produce radioactive-isotope beams and/or new isotopes in the whole range of nuclear masses up to uranium. In order to achieve the goal, it is indispensable to provide the RIKEN heavy-ion linac (RILAC),²⁾ the injector of the RRC, with much higher-intensity of heavy ions.

To meet the above demand, we have developed a new pre-injector system for the RILAC. The RILAC consists of six

resonator tanks, each being of the Wideroe type and frequency tunable. The existing pre-injector system consists of an 8 GHz NEOMAFIOS and a 450 kV Cockcroft-Walton terminal. In the new pre-injector system is used a high-field, 18 GHz ECR ion source that is expected to have significantly high performance compared to the present 8 GHz NEOMAFIOS. A variable-frequency RFQ linac is adopted as an equivalent to the existing Cockcroft-Walton terminal, which is unable to accommodate such an 18 GHz ECR ion source that requires high electric power.

In this paper we describe the characteristics of the new pre-injector system and the status of its construction.

2. Description of the New System

Figure 1 shows a planned layout of the new pre-injector system together with the beam transport line from the existing one. The existing beam transport line is slightly modified from the present for installation of the new system.

2.1 18 GHz ECR Ion Source

The ECR ion source³⁾ is of a single-stage type and operates at 18 GHz. The axial mirror field has peaks of 1.4 T (mirror ratio is 3.0) and the radial hexapole field is 1.4 T at the pole surfaces of 80 mm in diameter, both of which are high enough for the double-frequency operation. The axial mirror field is produced

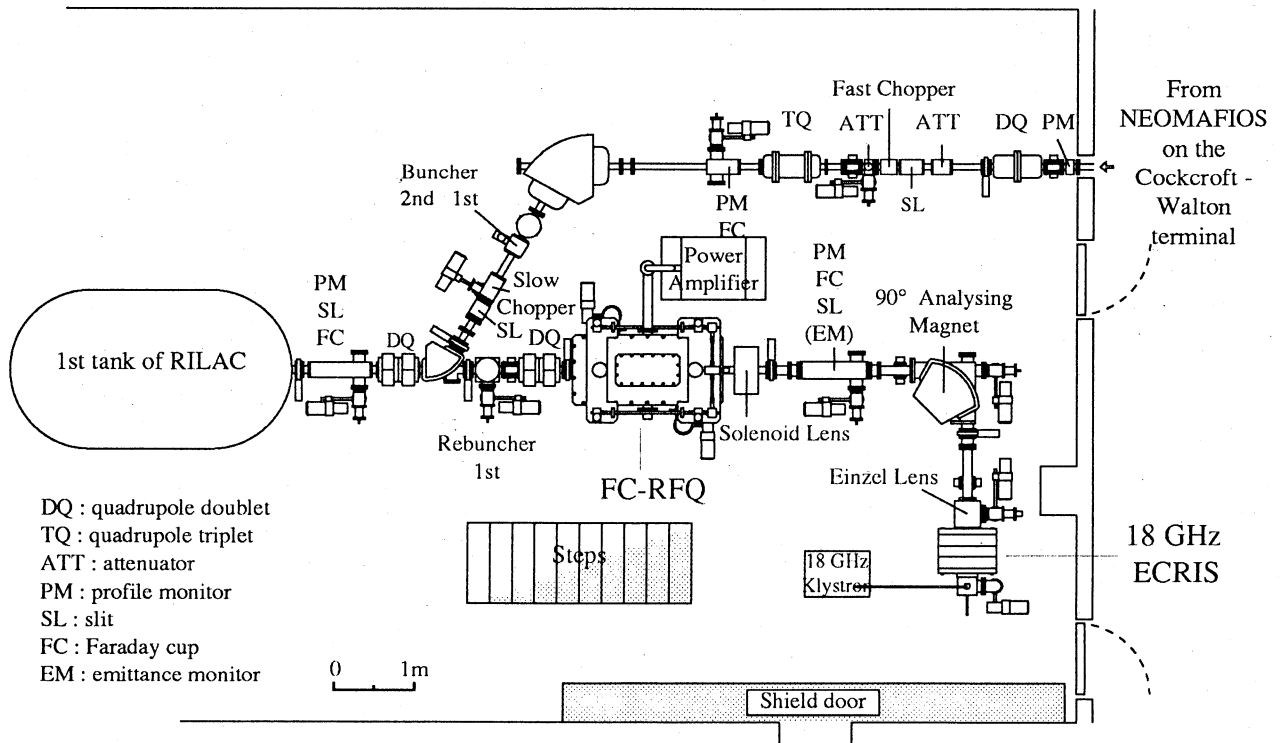


Fig. 1 Planned layout of the new pre-injector system for the RILAC together with the beam transport line from the existing one.

with a pair of solenoids enclosed with an iron yoke that are excited by two power supplies of 800 A. The power consumption of the solenoids is 140 kW and the required electric power for the power supplies is 210 kVA. The outer dimension of the yoke is about 700 mm in diameter and 550 mm in length. The radial field is produced with 36 segments of permanent magnets made of Nd-Fe-B, each segment 224 mm in length. The permanent magnet is protected from plasma heat by a plasma-chamber that is cooled by water of 20°C. The chamber is made of two copper cylindrical tubes that are welded to each other after the surface of the inner tube is carved to make conduits for coolant water. The thickness of the chamber is 3 mm. The temperature of the chamber is expected to rise up to 26°C at the maximum. The magnet is also protected from the heat of the solenoid coils by a similar copper cylindrical tube. RF of 18 GHz is fed by a Thomson TH 2463 klystron with a maximum output power of 1.5 kW. This RF power source is designed to operate in both cw and pulse modes. A rod of metal can be inserted axially for producing metallic ions. The plasma cathode method can be applied. The inside of the plasma chamber is evacuated with 500 and 150 l/s turbo-molecular pumps. Ions are extracted from an orifice of 10 mm in diameter with a maximum voltage of about 10 kV. The orifice is positioned at the end of the permanent magnet.

2.2 FC-RFQ Linac

The RFQ linac^{4,5)} is required to have the same function as that of the existing 450 kV Cockcroft-Walton terminal. It is designed to accelerate ions with a range of $m/q = 6-27$ up to 450 keV/q in the cw mode. The operational frequency should be varied between 18 MHz to around 40 MHz, which is one of the most important problems to be solved in the design of the RFQ linac. We have adopted a "folded coaxial" RFQ (FC-RFQ) structure. This structure allows the cavity to be tunable in a wide range of frequencies and to be compact even in the low frequency region below 20 MHz. The FC-RFQ structure can also enable the intervane voltage to be flat enough to obtain high beam-transmission efficiency. The length of the vanes is 1420 mm and the inner volume of the resonator is about 1700 mm (length) \times 700 mm (width) \times 1000 mm (height). The stroke of the shorting plate for coarse tuning is 790 mm. For the details of the structure, see ref. 4. The required maximum intervane voltage is 33.6 kV. RF power is fed by an oscillator with an Eimac 4CW50000E with a maximum output power of 40 kW between 16.9 MHz to 40 MHz. The total water flow for cooling is about 200 l/min of 7 atm and the temperature of water is 30 °C. The temperature of the vanes is expected to rise up to about 40 °C at the maximum. The resonator is evacuated with two turbo-molecular pumps of 1500 l/s.

2.3 Beam Transport Line

The beam transport line⁶⁾ between the ECR ion source and the FC-RFQ linac consists mainly of (from upstream) an Einzel lens, a 90° bending magnet, a beam diagnostic chamber and a solenoid magnet. In the design an ion beam is at first focused with the Einzel lens onto a spot of 10 mm in diameter at the symmetric position of the extraction orifice with respect to the lens. The beam is then analysed with the 90° bending magnet having slant edges and doubly focused at a point between the bending magnet and the solenoid magnet. The dispersion and magnification in the horizontal direction at this point are 2.2 cm/% and -0.98, respectively. From the values of dispersion and magnification, mass resolution $m/\Delta m$ is about 200. The beam is finally matched to the FC-RFQ linac with the solenoid magnet.

The Einzel lens is of three-electrode type with different diameters: the diameter of the center electrode is 100 mm and that of the end electrodes is 74 mm. A voltage of about 15 kV at the

maximum is required to be applied to the lens. The bending magnet has a curvature radius of 500 mm and a gap of 80 mm. The maximum magnetic field is 0.16 T. The angle of the slant edge is 28.7° at both the entrance and the exit. The solenoid magnet consists of coils and an iron yoke enclosing them. The inner diameter, outer diameter and length of the magnet are 90 mm, 610 mm and 310 mm, respectively. The maximum magnetic field is 0.63 T. Beam diagnostic devices such as a profile monitor, a Faraday cup and a pair of slits are set in the beam diagnostic chamber located between the bending magnet and the solenoid magnet. A beam emittance monitor can also be set in this chamber. The beam transport line is evacuated with two turbo-molecular pumps of 350 l/s.

3. Fabrication and Test

Fabrication of the whole system was completed in the spring of 1995. Performance test of the characteristics of the 18 GHz ECR ion source and the FC-RFQ linac as well as beam acceleration test in the system have been made. Details of the results are reported in refs. 3 and 5.

Figure 2 shows a photograph of the 18 GHz ECR ion source. Ion beam intensities were measured for gaseous elements such as oxygen, argon and krypton with an extraction voltage of up to 15 kV (though a required maximum voltage is about 10 kV for delivering a beam to the FC-RFQ). Obtained beam intensities of Ar¹¹⁺ and O⁷⁺ ions, for example, were 160 and 130 μ A, respectively, with an RF power of about 600 W and an extraction voltage of 15 kV. Typical gas pressures of the plasma chamber

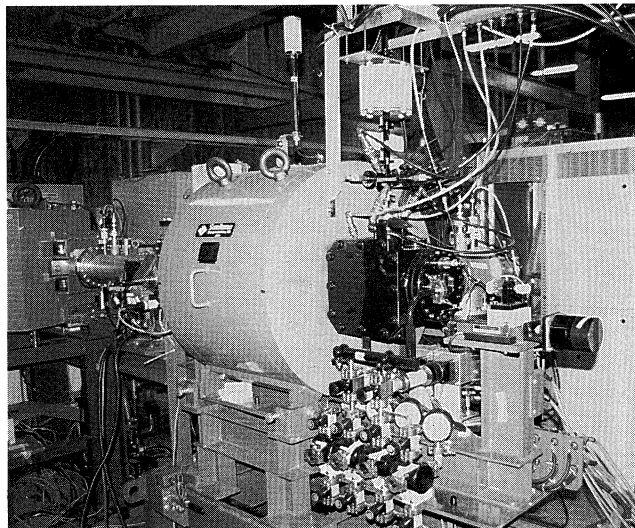


Fig. 2 Photograph of the 18 GHz ECR ion source.

and the extraction stage were 1.0×10^{-6} and 9×10^{-7} Torr, respectively. Figure 3 shows the comparison between beam intensities from the 18 GHz ECR ion source and those from NEOMAFIOS 8 GHz. It can be seen that the beam intensities from the 18 GHz ECR ion source are higher than those from NEOMAFIOS 8 GHz by one or two orders of magnitude. It is also noted that the beam intensity of, for example Ar¹¹⁺ ions, from the 18 GHz ECR ion source was twice higher than CAPRICE 14.5 GHz. Pulse mode operation was also tested and significant afterglow effect was seen particularly for heavy ions like krypton and high charge states: the ratio was 4 for Kr²⁰⁺ ions. A rod for metallic ions and a plasma cathode have not yet been tested.

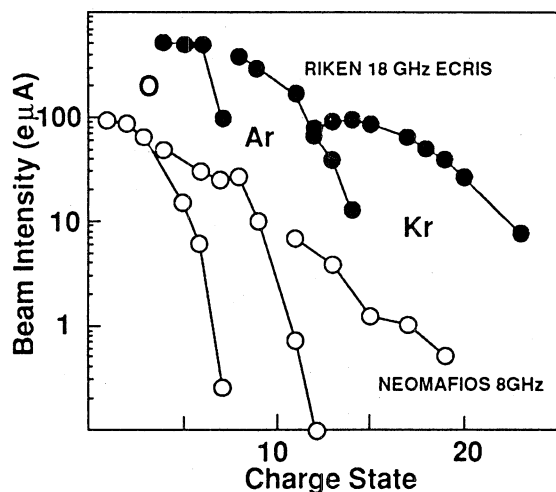


Fig. 3 Comparison between beam intensities from the 18 GHz ECR ion source and those from NEOMAFIOS 8 GHz.

Figure 4 shows a photograph of the FC-RFQ linac. The vanes have been three-dimensionally machined and assembled within an accuracy of $\pm 50 \mu\text{m}$, the value meeting the requirement for good beam transmission.⁷⁾ The surface of the vanes were polished with electrochemical buffing within a flatness of less than $1 \mu\text{m}$. The resonant frequency was measured to vary from 17.7 MHz to 39.2 MHz. The measured Q-values and shunt impedances were about 60 % of the MAFIA calculations. From the shunt impedance measurement, the required maximum RF power was found to be 26 kW (cw). Typical gas pressure of the

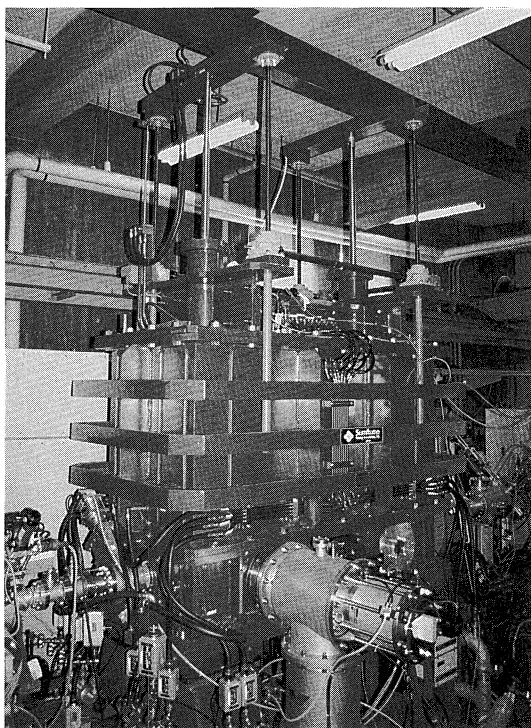


Fig. 4 Photograph of the FC-RFQ linac.

resonator was $1-3 \times 10^{-7}$ Tor. We have encountered a serious problem on the ceramic pillars that are used to fix the high voltage part (to which the vertical vanes are attached) on the bottom plate of the resonator. A multipactoring occurred on the pillars at an intervane voltage of below 15 kV, and heating due to dielectric losses in a local region of the pillars occurred at an intervane voltage of above 35 kV. To fix this problem, ceramic pillars were redesigned and are being newly fabricated. Beam acceleration tests have been performed for Ar^{3+} , Ar^{6+} , Ar^{11+} and O^{5+} ions at the frequencies of 17.7, 26.1, 34.4 and 39.2 MHz, respectively, at the intervane voltage of about 20 kV. The beam velocity after acceleration, which was measured by the TOF technique using three capacitive pickup probes, was in agreement with the designed value within 1 %. The beam transmission efficiency of 85 % at the maximum was obtained. Beam emittance has not yet been measured in the acceleration test.

4. Summary

A new pre-injector system for the RILAC was completed in the spring of 1995. The performance tests including beam acceleration test showed that the beam intensity from the RILAC will increase by one or two orders of magnitude as expected. The system is planned to be installed on site next year. A beam rebuncher will also be installed at that time between the FC-RFQ linac and the RILAC.

5. References

- [1] Y. Yano, "RIKEN RI beam Factory Project," in this proceedings.
- [2] M. Odera, Y. Chiba, T. Tonuma, M. Hemmi, Y. Miyazawa, Y. Inoue, T. Kambara, M. Kase, T. Kubo and F. Yoshida, "Variable Frequency Heavy-Ion Linac, RILAC," Nucl. Instrum. and Methods, 227, 187 (1984).
- [3] T. Nakagawa, Y. Miyazawa, M. Hemmi, T. Chiba, N. Inabe, M. Kase, T. Kageyama, O. Kamigaito, A. Goto and Y. Yano, "Development of RIKEN 18 GHz ECRIS," in this proceedings.
- [4] O. Kamigaito, A. Goto, Y. Miyazawa, T. Chiba, M. Hemmi, M. Kase and Y. Yano, "Design of a New Type of a Variable-Frequency Radio-Frequency Quadrupole Linac with a Folded-Coaxial Resonator," Jpn. J. Appl. Phys. 33 (1994) L537.
- [5] O. Kamigaito, A. Goto, Y. Miyazawa, T. Chiba, M. Hemmi, S. Kohara, M. Kase, Y. Batygin and Y. Yano, "Development of a Variable-Frequency RFQ Linac for the RILAC," in this proceedings.
- [6] N. Inabe, M. Kase, O. Kamigaito, Y. Miyazawa, M. Hemmi, T. Chiba, A. Goto, Y. Batygin and Y. Yano, "Design of a Beam Transport Line between the 18 GHz ECRIS and the RFQ linac," RIKEN Accel. Progr. Rep. 28 (1994) p.166.
- [7] Y. Batygin, A. Goto, O. Kamigaito and Y. Yano, "Effect of Field Variation on Beam Parameters in RIKEN RFQ Linac," in this proceedings.